

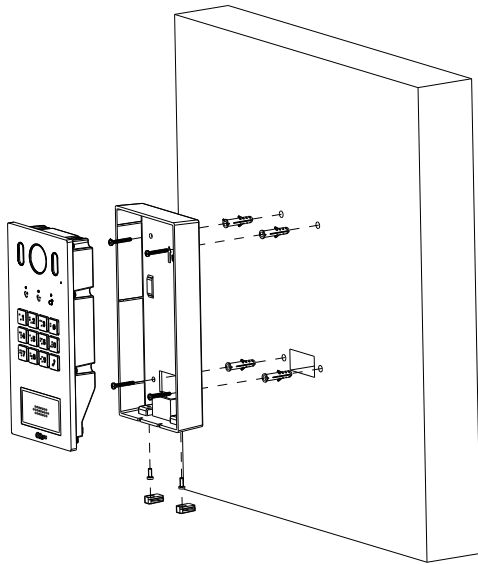
VTM117

VTM117+Surface Mounted Box

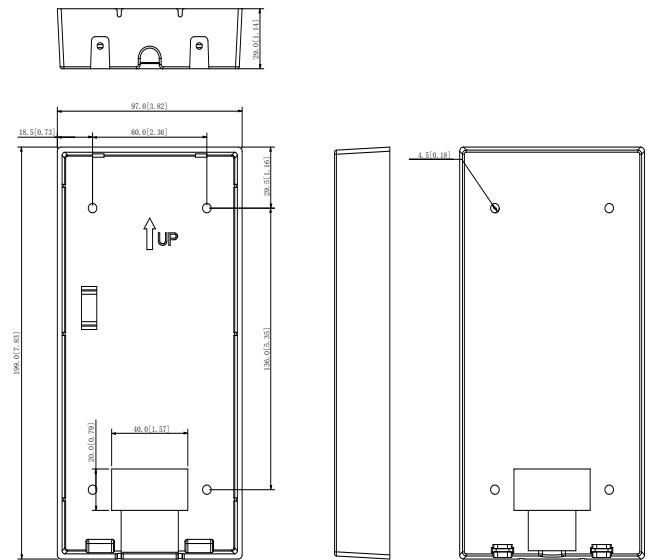


- Material: ADC12
- Dimensions: 97.0mm×199.0mm×29.0mm (3.82"×7.83"×1.14")

Installation



Dimensions (mm[inch])



Step 1 Drill screw holes in the wall according to the position of the screw holes in the mounting box, and then put the expansion tubes in the screw holes.

Step 2 Pull the reserved cables through the cable hole on the mounting box and connect them to the ports on the VTO rear panel.

Step 3 Fix the mounting box on the wall with the ST4×18 screws.

Step 4 Fix the VTO in the mounting box with the M3×8 screws.

Step 5 Put the rubber plugs in the holes on the bottom of the mounting box.